

**Qty. Description**

1 TP 80-140/2 A-F-A-BQQE-IW1

**Note! Product picture may differ from actual product**Product No.: [96108717](#)

Single-stage, close-coupled, volute pump with in-line suction and discharge ports of identical diameter. The pump is of the top-pull-out design, i.e. the power head (motor, pump head and impeller) can be removed for maintenance or service while the pump housing remains in the pipework.

The pump is fitted with an unbalanced rubber bellows seal. The shaft seal is according to EN 12756. Pipework connection is via PN 16 DIN flanges (EN 1092-2 and ISO 7005-2).

The pump is fitted with a fan-cooled asynchronous motor.

**Controls:**

Frequency converter: None

**Liquid:**

Pumped liquid: Water

Liquid temperature range: -25 .. 120 °C

Selected liquid temperature: 20 °C

Density: 998.2 kg/m<sup>3</sup>**Technical:**

Pump speed on which pump data are based: 2900 rpm

Rated flow: 52.2 m<sup>3</sup>/h

Rated head: 10.4 m

Actual impeller diameter: 105 mm

Code for shaft seal: BQQE

Curve tolerance: ISO9906:2012 3B2

**Materials:**Pump housing: Cast iron  
EN-GJL-250  
ASTM class 35Impeller: Cast iron  
EN-GJL-200  
ASTM class 30**Installation:**

Range of ambient temperature: -30 .. 60 °C

Maximum operating pressure: 16 bar

Max pressure at stated temp: 16 bar / 120 °C

Type of connection: DIN

Size of connection: DN 80

Pressure rating for connection: PN 16

Port-to-port length: 360 mm

Flange size for motor: FF165

**Electrical data:**

Motor type: 90LE

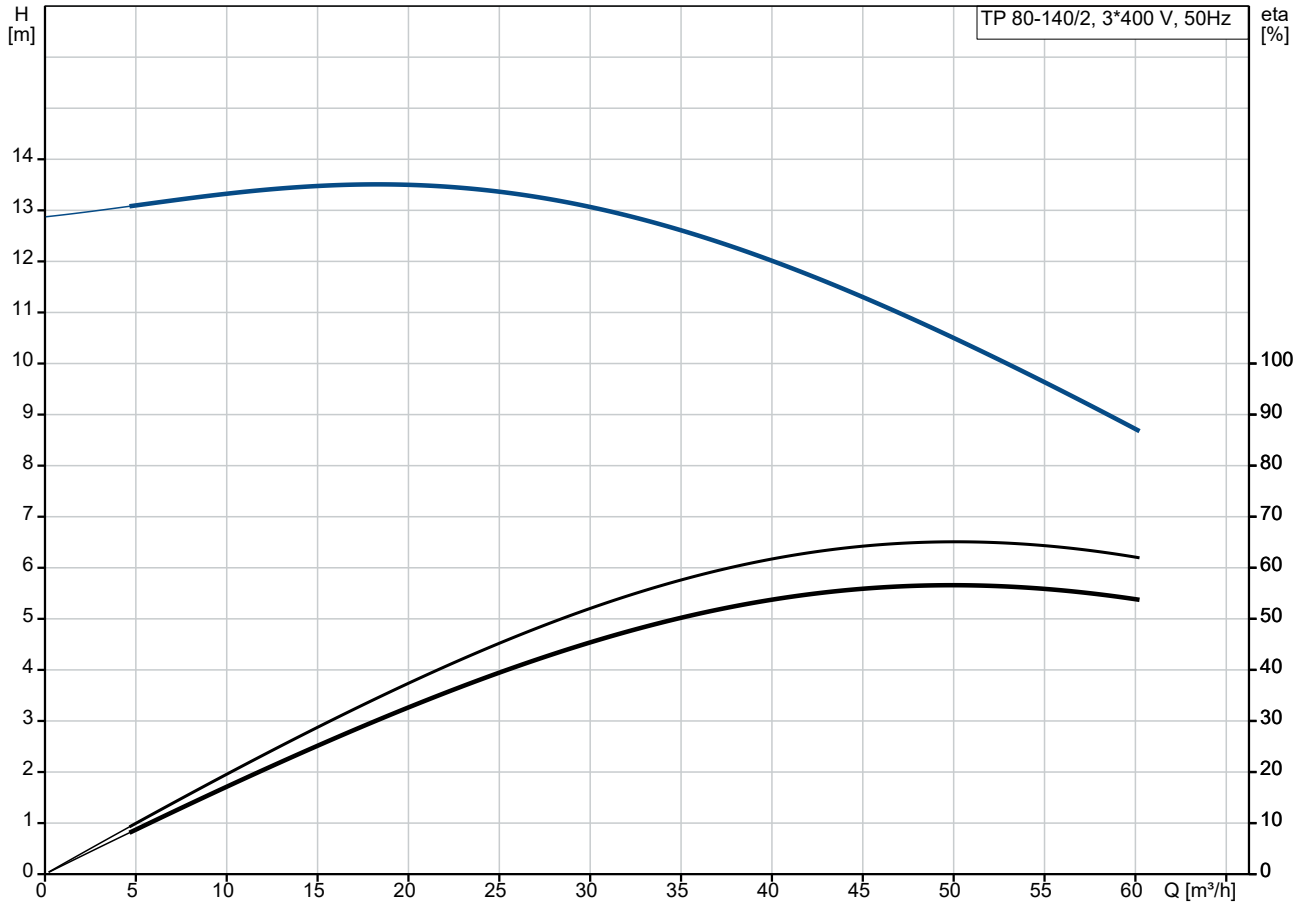
---

**Qty. Description**

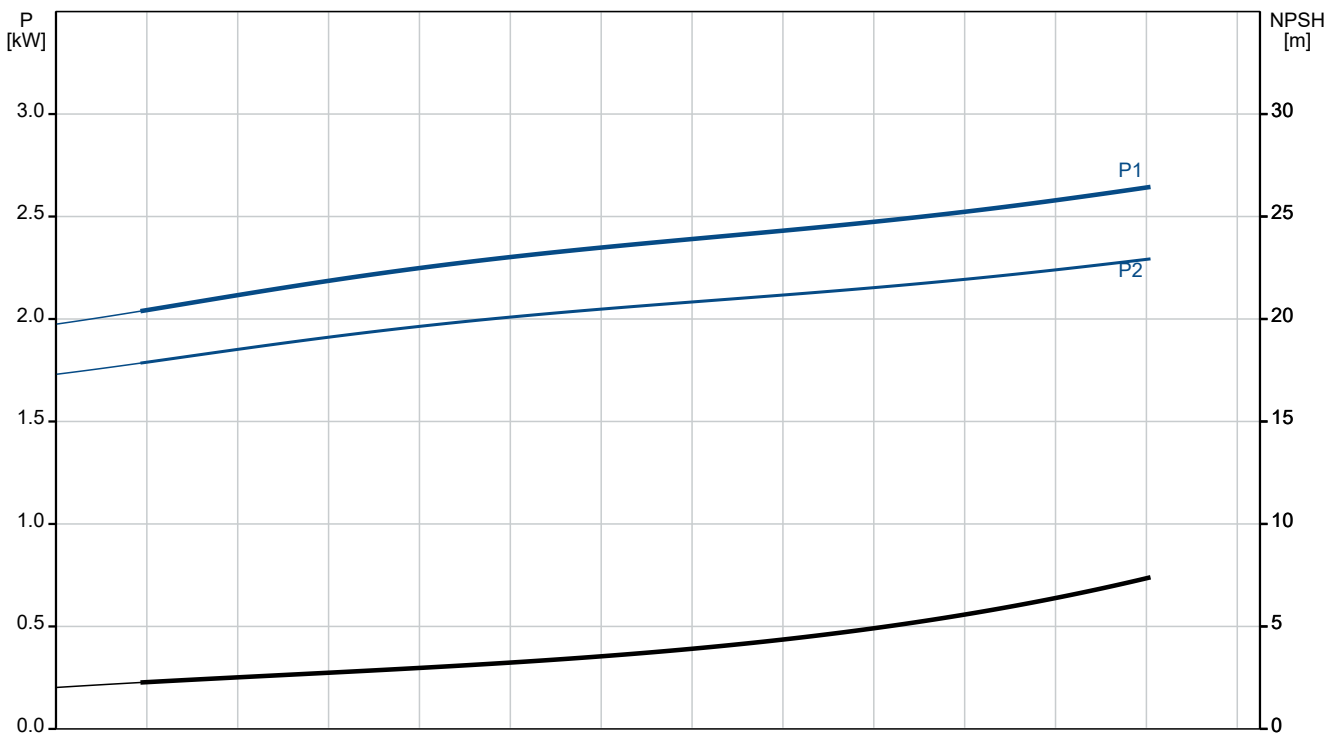
---

1	Rated power - P2:	2.2 kW
	Mains frequency:	50 Hz
	Rated voltage:	3 x 380-415D V
	Rated current:	4.65 A
	Starting current:	840-920 %
	Rated speed:	2890-2910 rpm
	IE Efficiency class:	IE3
	Motor efficiency at full load:	85.9-85.9 %
	Motor efficiency at 3/4 load:	88.2-87.2 %
	Motor efficiency at 1/2 load:	88.0-85.5 %
	Number of poles:	2
	Enclosure class (IEC 34-5):	55 Dust/Jetting
	Insulation class (IEC 85):	F
	Motor No:	99605763
	Others:	
	Minimum efficiency index, MEI $\geq$ :	0.69
	Net weight:	59.1 kg
	Gross weight:	71 kg
	Shipping volume:	0.217 m <sup>3</sup>
	Finnish LVI No.:	4616096
	Country of origin:	HU
	Custom tariff no.:	84137051

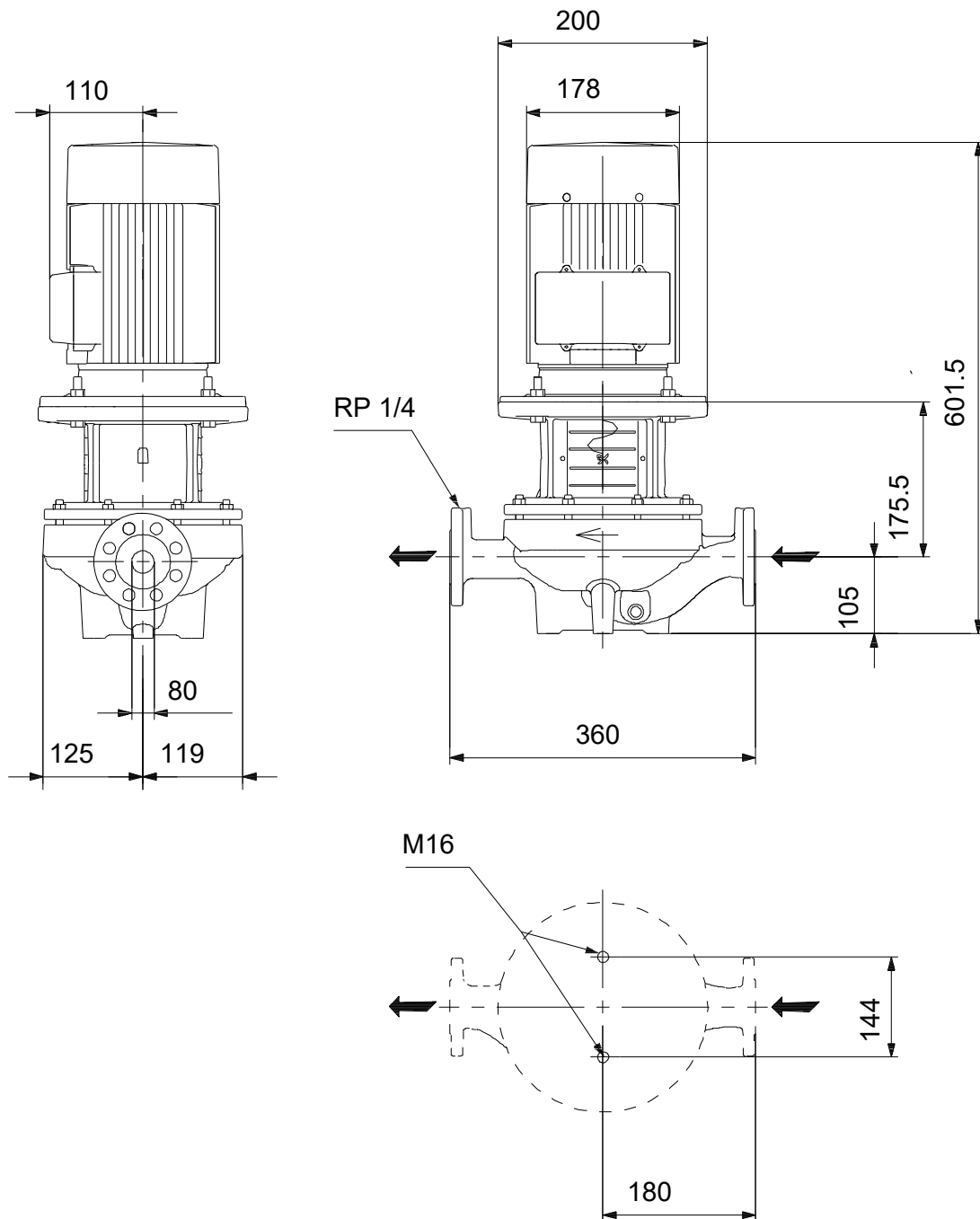
# 96108717 TP 80-140/2 A-F-A-BQQE-IW1 50 Hz



Pumped liquid = Water  
 Liquid temperature during operation = 20 °C  
 Density = 998.2 kg/m³



**96108717 TP 80-140/2 A-F-A-BQQE-IW1 50 Hz**



Note! All units are in [mm] unless others are stated.  
Disclaimer: This simplified dimensional drawing does not show all details.